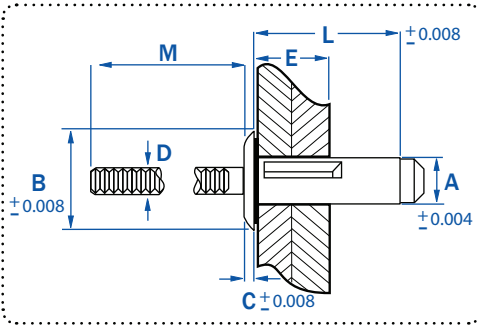


RIVETKING® SUPER TRIFIX™

ALL ALUMINUM • HIGH STRENGTH TRI-FOLDING RIVET

SPECIAL BLIND RIVETS



The Super Trifix™ is designed for use in thin sheet metal or soft materials where strength of the riveted joint is of concern. Typically used in repair and replacement of solid rivets in truck bodies, these rivets offer superior shear and tensile strength then that of the standard Tri-Fix™. The mandrel stays within the shear plane and breaks flush with the head. A neoprene washer is affixed under the head to make a weather tight seal. Due to the externally locked mandrel, a special nose piece is required for the installation tool.

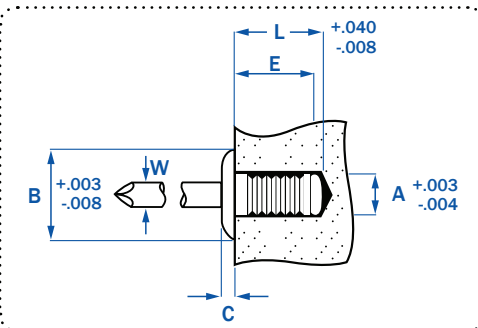


PART NUMBER	RIVET SIZE	LENGTH	HEAD DIA	HEAD HEIGHT	MANDREL DIA	OVERALL LENGTH	GRIP RANGE	HOLE SIZE	SHEAR	TENSILE
									LBS. F	LBS. F
ABL0623/ STFX	3/16"	.807 (20.5)	.449 (11.4)	.079 (2.00)	.122 (3.10)	.935 (23.75)	.012 - .197 (0.5 - 5.0)	.209 - .220 (5.30 - 5.60)	733	427
ABL0633/ STFX	(5.2)*	1.043 (26.5)				1.171 (29.75)	.177 - .433 (4.5 - 11.0)			

*3/16"

These rivets are made according to a DIN standard in which the body diameter is actually .205 (5.2mm). The 3/16" inch designation has been applied as a reference only as the actual rivet is .205 diameter. Please insure the hole design is .208 - .221 to accommodate the rivet.

RIVETKING® GROOVED RIVETS™



Grooved Rivets are designed to be installed within a hole made of a fibered material such as wood and some low-medium density plastics. When set properly, the annular rings of the grooved rivet will bite into the wood or plastic and will radially expand within the hole. Keep in mind, this rivet is designed to expand within a hole and not at the rear side like most blind rivets. Only one fibered material is necessary as long as it is the final substrate. Other materials can be fastened to wood products as long as it is between the head and the wood. In this case be sure there is enough material thickness of the fiber material so the rivet can seat properly.

RIVET: ALUMINUM
MANDREL: STEEL, TRIVALENT ZINC PLATED



RIVET DIA.	PART NUMBER	GRIP RANGE	LENGTH	HEAD DIA	HEAD HEIGHT	MANDREL DIA	SHEAR	TENSILE
1/8"	ABSM3.2X6/GROOVED	.039	.236	.256	.031	.071	134	180
	ABSM4.0X8/GROOVED	.157	.315					
5/32"	ABSM4.0X12/GROOVED	.236	.472	.315	.039	.087	202	315
	ABSM4.0X16/GROOVED	.315	.630					
3/16"	ABSM4.8X8/GROOVED	.157	.315	.374	.043	.108	360	585
	ABSM4.8X10/GROOVED	.236	.394					
	ABSM4.8X12/GROOVED	.315	.472					
	ABSM4.8X14/GROOVED	.394	.551					
	ABSM4.8X18/GROOVED	.512	.709					
	ABSM4.8X21/GROOVED	.591	.827					
	ABSM4.8X24/GROOVED	.787	.945					



Call Rivet USA (a division of Cardinal Components) to Order or for Quote

800-236-3200 | info@cardinalcomponents.com | www.rivetusa.com