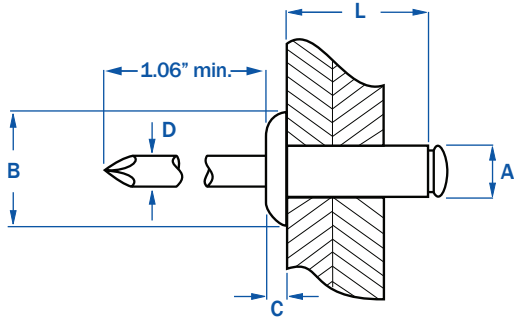


RIVETKING® LONG LENGTH RIVET

ALUMINUM/ STEEL LONG LENGTH BLIND RIVETS DOME HEAD

SPECIAL BLIND RIVETS



Long length blind rivets are used in areas that require a thick grip range that goes beyond standard sizes. Used in insulation, roofing or other industrial extended grip, blind side applications.



RIVET: ALUMINUM
MANDREL: STEEL, TRIVALENT ZINC PLATED

PART NUMBER	A		L		B		C		D	
	RIVET SIZE	GRIP RANGE	LENGTH	HEAD DIA	HEAD HEIGHT	MANDREL DIA	HOLE SIZE	SHEAR	TENSILE	
		MIN-MAX	MAX	NOM.	NOM.	NOM.	MAX	LBS.	LBS.	
01050004035	5/32"	1.02 - 1.25	1.38	.300	.047	.083	.161	180	220	
01050004040										
01050005040										
01050005045										
01050005050										
01050005055										
01050005060										
01050005065										
01050005070										
01050005075										
01050005080										
01050005090										
010500050100										
010500050110										
010500050120	3/16" **	2.95 - 3.35	3.54	.366	.060	.108	.200	450	618	
010500050130										
010500050140										
010500050150										
010500050160										
010500050170										
010500050180										
010500050190										
01050006480										
010500064100										
010500064120	1/4"	1.65 - 2.87	3.15	.512	.079	.142	2.56	550	765	
010500064150										
010500064175										
010500064200										
010500064200										

3/16" **

The 3/16" rivets are made according to din7337 standard in which the body diameter is actually 5mm (.196). The 3/16" inch designation has been applied as a reference only as the actual rivet is .196 diameter. Please insure the hole design is greater then .200 to accommodate the rivet.

